


■ Features :

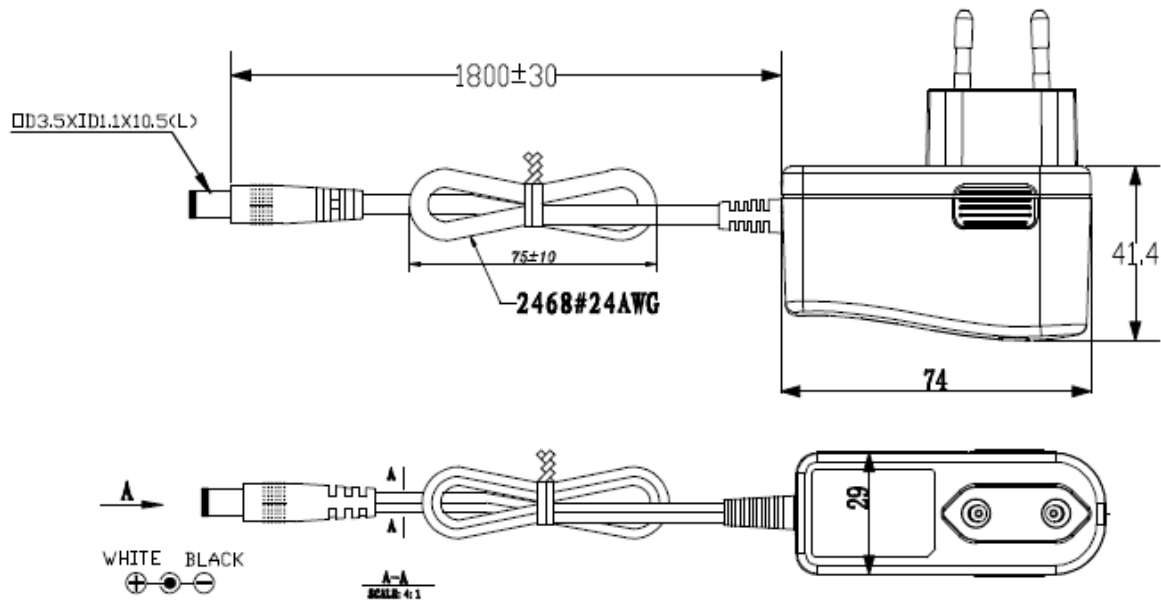
- Built-in switching power technology for worldwide 90 to 264V AC use
- No load power consumption < 0.4W
- Fast-charge termination by 0ΔV & -ΔV
- Typical charging time: 6 hours
- Maximum output power: 6W
- Protections: Short circuit / Over load / Over voltage
- Constant current (CC mode)
- Approvals: CE/CB
- Fast charge: 250-1000mA
- Trickle charge: 25-50mA
- 2 year warranty

CE CB
SPECIFICATION

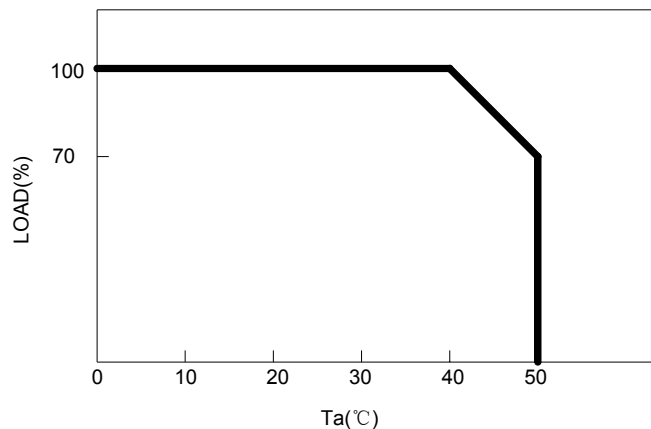
ORDER NO.		HR05NE03	HR05NE04	HR05NE05	HR05NE06	HR05NE07	HR05NE08	HR05NEABC-XYZ	
OUTPUT	DC VOLTAGE Note.2	4.2V	5V	9V	12V	15V	24V	3~24V	
	RATED CURRENT	1000mA	1000mA	660mA	500mA	400mA	250mA	/	
	CURRENT RANGE	0~ 1000mA	0 ~ 1000mA	0 ~ 660mA	0 ~ 500mA	0 ~ 400mA	0 ~ 250mA	0~1000 mA	
	RATED POWER	4.2W	5W	6W	6W	6W	6W	6W	
	RIPPLE & NOISE (max.) Note.3	120mVp-p	120mVp-p	120mVp-p	200mVp-p	200mVp-p	200mVp-p	200mVp-p	
	VOLTAGE ADJ. RANGE	3V~4.2V	4.2V~5V	5V~9V	9V~12V	12~15V	15~24V	3~24V	
		Fixed							
	VOLTAGE TOLERANCE Note.4	±5.0%	±5.0%	±5.0%	±5.0%	±5.0%	±5.0%	±5.0%	
	LINE REGULATION Note.5	±1.0%	±1.0%	±1.0%	±1.0%	±1.0%	±1.0%	±1.0%	
	LOAD REGULATION Note.6	±5.0%	±5.0%	±5.0%	±5.0%	±5.0%	±5.0%	±5.0%	
	LED INDICATOR	Red: charging Green: finish/Standby Red flash: Battery pack error							
SETUP, RISE, HOLD UP TIME	3000ms, 50ms, 16ms at full load								
INPUT	VOLTAGE RANGE	90 ~ 264VAC		135 ~ 370VDC					
	FREQUENCY RANGE	47 ~ 63Hz							
	EFFICIENCY (Typ.) Note.7	65%	65%	72%	74%	76%	77%	65%	
	AC CURRENT								
	INRUSH CURRENT (Typ.)	50A/230VAC							
	LEAKAGE CURRENT (max.)	0.25mA / 240VAC							
PROTECTION	OVER LOAD	90 ~ 110% Constant current mode Protection type : Hiccup mode, recovers automatically after fault condition is removed							
	OVER VOLTAGE	135 ~ 180% rated output voltage Protection type : Clamp by PWM IC							
ENVIRONMENT	WORKING TEMP.	0 ~ + 40℃ (Refer to output load derating curve)							
	WORKING HUMIDITY	20% ~ 90% RH non-condensing							
	STORAGE TEMP., HUMIDITY	-20 ~ +85℃ , 10 ~ 95% RH							
	TEMP. COEFFICIENT	±0.03% /℃ (0 ~ 50℃)							
	VIBRATION	10 ~ 500Hz, 2G 10min./1cycle, period for 60min. each along X, Y, Z axes							
SAFETY & EMC (Note.8)	SAFETY STANDARDS	UL60950-1, CSA 22.2, EN60950-1 Approved							
	WITHSTAND VOLTAGE	I/P-O/P:3KVAC							
	ISOLATION RESISTANCE	I/P-O/P:100M Ohms / 500VDC / 25℃ / 70% RH							
	EMICONDUCTION & RIATION	Compliance to EN55022 class B, FCC PART 15 class B							
	HARMONIC CURRENT	Compliance to EN61000-3-2,3							
EMS IMMUNITY	Compliance to EN61000-4-2,3,4,5,6,11, Light industry level, criteria A								

	DIMENSION	74*29*41.4mm (L*W*H)
	PACKING (Typ.)	81.6g ;
CONNECTOR	PLUG	Standard type : 1.1Φ* 3.5Φ* 10.5mm, tuning fork type center positive available ; Other type available per customer request
	CABLE	Standard type 24Awg UL2468, other type available per customer request
NOTE	1.All parameters are specified at 230VAC input, rated load, 25℃ 70% RH ambient. 2.DC voltage: The output voltage set at point measure by plug terminal & 50% load. 3.Ripple & noise are measured at 20MHz by using a 12" twisted pair terminated with a 0.1uf & 47uf capacitor. 4.Tolerance: includes set up tolerance, line regulation, load regulation. 5.Line regulation is measured from low line to high line at rated load. 6.Load regulation is measured from 0% to 100% rated load 7.Efficiency is measured at 230VAC. 8.The power supply is considered a component which will be installed into a final equipment. The final equipment must be re-confirmed that it still meets EMC directives.	

Mechanical Specification



Derating Curve



Static Characteristics

